

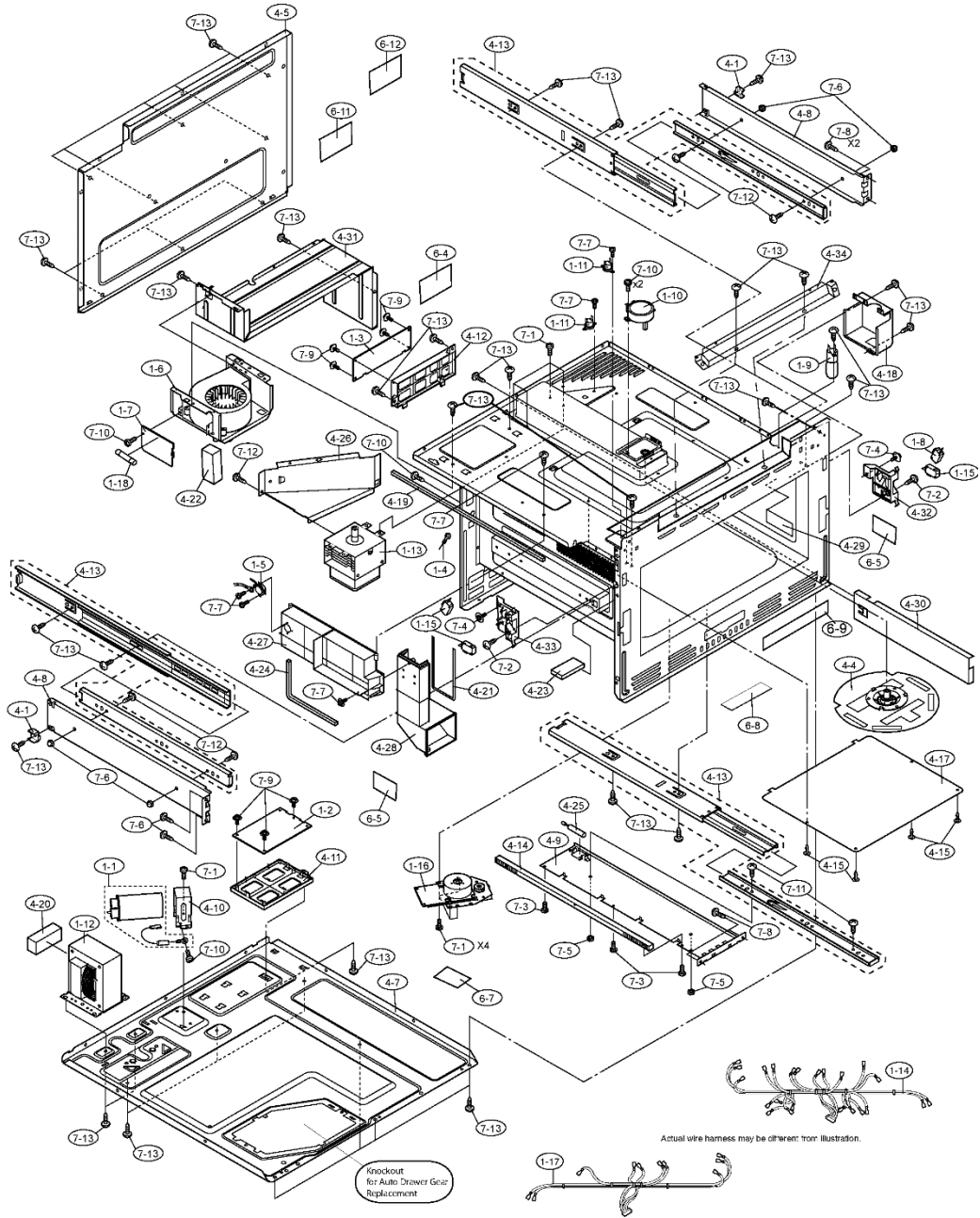
# ***dacor***

LET THE SHOW BEGIN

## **DMR24/30**



# 1. Drawer Cavity

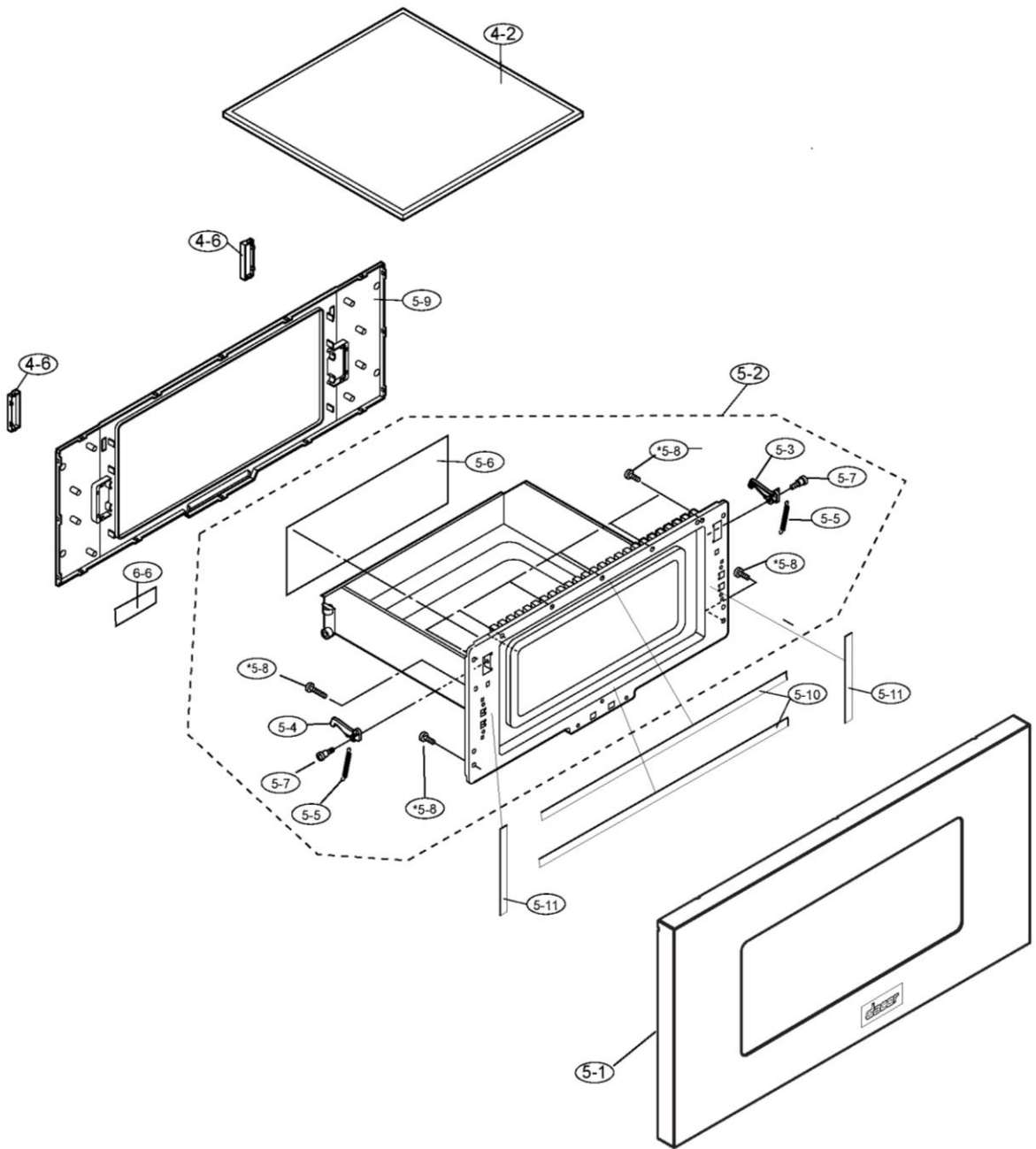


## Parts List

Ref.#	Rev C & After Dacor #	Rev B & Before Dacor #	DESCRIPTION
1-1	109888	109888	HVC ASSY
1-2	113873	109889	PSU- Drawer
1-3	109890	113432	SW PSU
1-4	113874	109891	POWER SUPPLY CORD
1-5	101215	109892	SENSOR ASSY
1-6	109893	109893	FAN MOTOR ASSY
1-7	109894	109894	Noise Filter Unit
1-8	110440	66006	MONITOR FUSE
1-9	106062	106062	OVEN LAMP WITH SOCKET
1-10	109895	109895	STIRRER MOTOR
1-11	66376	86794	Oven/MG DM FUSE
1-12	109896	109896	TRANSFORMER
1-13	109897	109897	MAGNETRON
1-14	113875	109898	DRAWER HARNESS
1-15	109427	112235	SECONDARY/THIRD/STOP SWITCH
1-16	109899	109899	AUTO DRAWER GEAR ASSY
1-17	113876	109900	CPU HARNESS
1-18	110438		FUSE 20A
4-1	109916	109916	DOOR STOPPER
4-3			CAVITY ASSEMBLY (not replaceable parts)
4-4	109918	109918	ANTENNA ASSY
4-5	109919	109919	BACKPLATE
4-7	109921	109921	BASE PLATE
4-8	113437	113437	DOOR SUPPORT ANGLE A
4-9	113438	113438	DOOR SUPPORT ANGLE B
4-10	109924	109924	HVC BAND
4-11	109925	109925	PSU HOLDER
4-12	109926	109926	SW PSU HOLDER
4-13	109927	109927	SLIDE RAIL
4-14	109928	109928	RACK GEAR
4-15	109929	109929	CANOE CLIP
4-17	109931	109931	ANTENNA COVER

4-18	109932	109932	OVEN LAMP COVER
4-19	109933	109933	INLET CUSHION
4-20	109934	109934	HVT CUSHION
4-21	109935	109935	EXHAUST DUCT CUSHION
4-22	109936	109936	FAN MOTOR SUPPORT CUSHION
4-23	109937	109937	AIR FLOW CUSHION
4-24	109938	109938	CUSHION
4-25	109939	109939	OIL DAMPER
4-26	109940	109940	MAG DUCT
4-27	109941	109941	SENSOR DUCT
4-28	109942	109942	EXHAUST DUCT
4-29	109943	109943	LAMP FILTER
4-30	109944	109944	PARTITION AG BOTTOM
4-31	109945	109945	PARTRITION AG REAR
4-32	109946	109946	LATCH HOOK R
4-33	109947	109947	LATCH HOOK L
4-34	109948	109948	FACEPLATE OUTERCASE COVER
6-4			DHHS/GRD/CAUTION LABEL
6-5			MONITOR CAUTION LABEL
6-7			USER CAUTION LABEL
6-8			WAVEGUIDE COVER CLEANING LABEL
6-9			MENU LABEL
6-10			SCHEMATIC DIAGRAM
6-11			USER CAUTION FRENCH LABEL
6-12			NHW CAUTION LABEL
7-1	66205	86819	M4-POINTED-8
7-2	86820	86820	SCREW WITH WASHER
7-3	106060	106060	SCREW
7-4	109964	109964	SCREW WITH WASHER
7-5	101247	101247	CAP NUT
7-6	109965	109965	CAP NUT
7-7	86847	86847	M3 X 8 SCREW - TAP BINDING HEA
7-8	109966	106050	M4 X 12 SCREW - COMMON (RoHS)
7-9	86780	86780	M3 X 10 SCREW - STEEL P-TIGHT
7-10	109967	109967	SCREW: 4MM X 8MM
7-11	106063	106063	4x6mm SCREW
7-12	109970	109970	M4 X 8 SCREW - T TAP TRUSS (Ro
7-13	86905	86905	CABINET SCREW/ CLEAR (RoHS)

## 2. Door



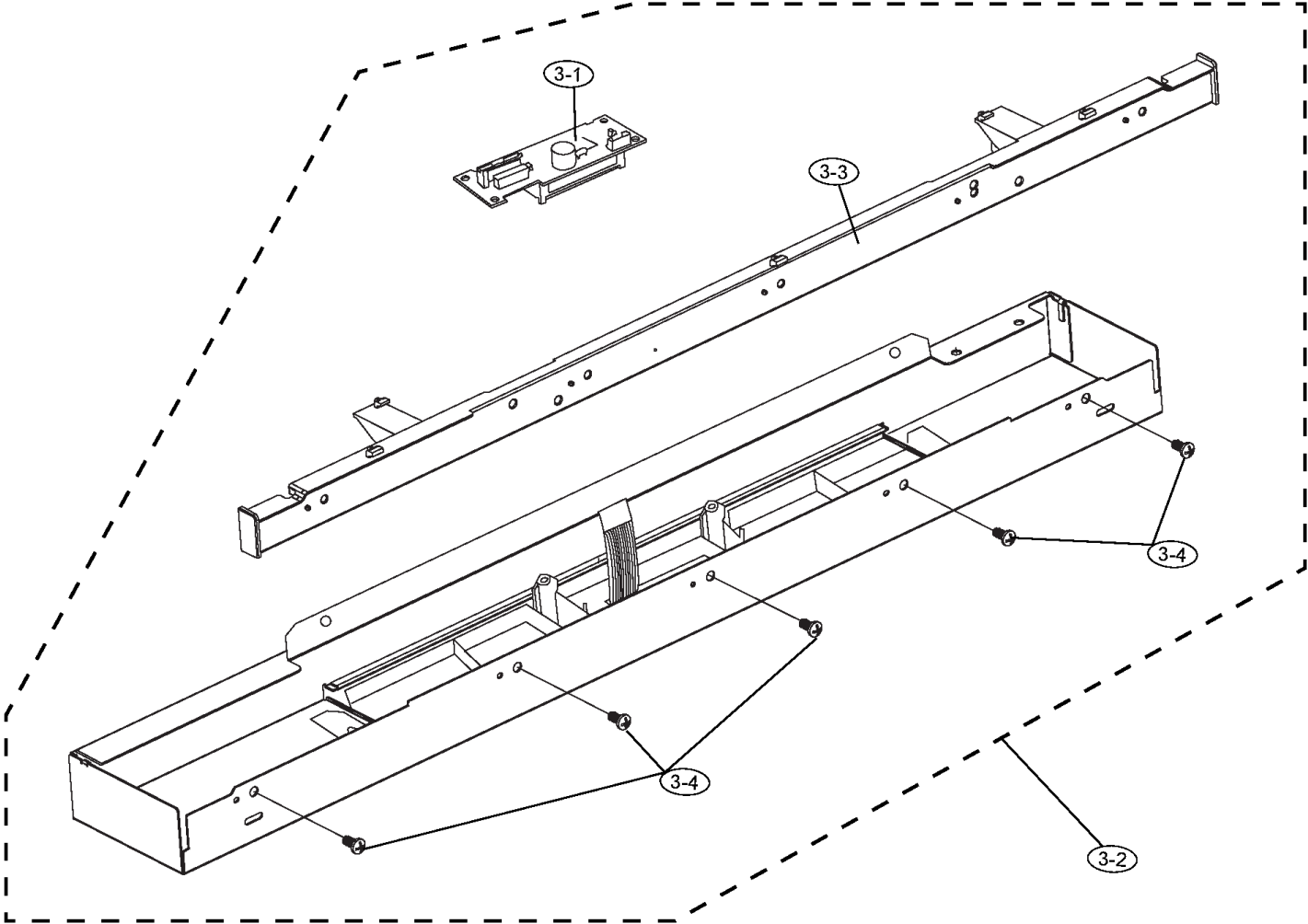
**\*NOTE: Screws 5-8 not included with 5-2**

---

**Parts List**

Ref.#	Dacor #	DESCRIPTION
4-2	109917	OVEN TRAY ASSY
4-6	109920	DOOR SUPPORT COVER
4-16	109930	C/P REAR COVER
5-1	113439	DOOR FRAME ASSY (DMR24M977WS)
5-1	113440	DOOR FRAME ASSY (DMR24M977WM)
5-1	113441	DOOR FRAME ASSY (DMR30M977WS)
5-1	113442	DOOR FRAME ASSY (DMR30M977WM)
5-2	109953	DOOR PANEL ASSY
5-3	109954	LATCH HEAD R
5-4	109955	LATCH HEAD L
5-5	109956	LATCH SPRING
5-6	109957	SEALER FILM
5-7	109958	SPECIAL SCREW
5-8	109959	M4 X 8 SCREW - TAP PAN HEAD
5-9	109960	CHOKE COVER (DMR24M977WS/WM)
5-9	113882	CHOKE COVER (DMR30M977WS/WM)
5-10	109962	Door cushion horizontal
5-11	109963	Door cushion vertical
6-2	NA	INSTALLATION INSTRUCTIONS

# 3. DRAWER CONTROL PANEL



**Parts List**

Ref.#	Rev C & After Dacor #	Rev B & Before Dacor #	DESCRIPTION
3-1	113897	109909	CPU- Drawer
3-2	113904	113433	TOUCH CONTROL PANEL ASSY (DMR24M977WS)
3-2	113905	113434	TOUCH CONTROL PANEL ASSY (DMR24M977WM)
3-2	113906	113435	TOUCH CONTROL PANEL ASSY (DMR30M977WS)
3-2	113907	113436	TOUCH CONTROL PANEL ASSY (DMR30M977WM)
3-3	113897	109914	C/P BOTTOM MOUNT INSERT
3-4	113904	109915	SCREW